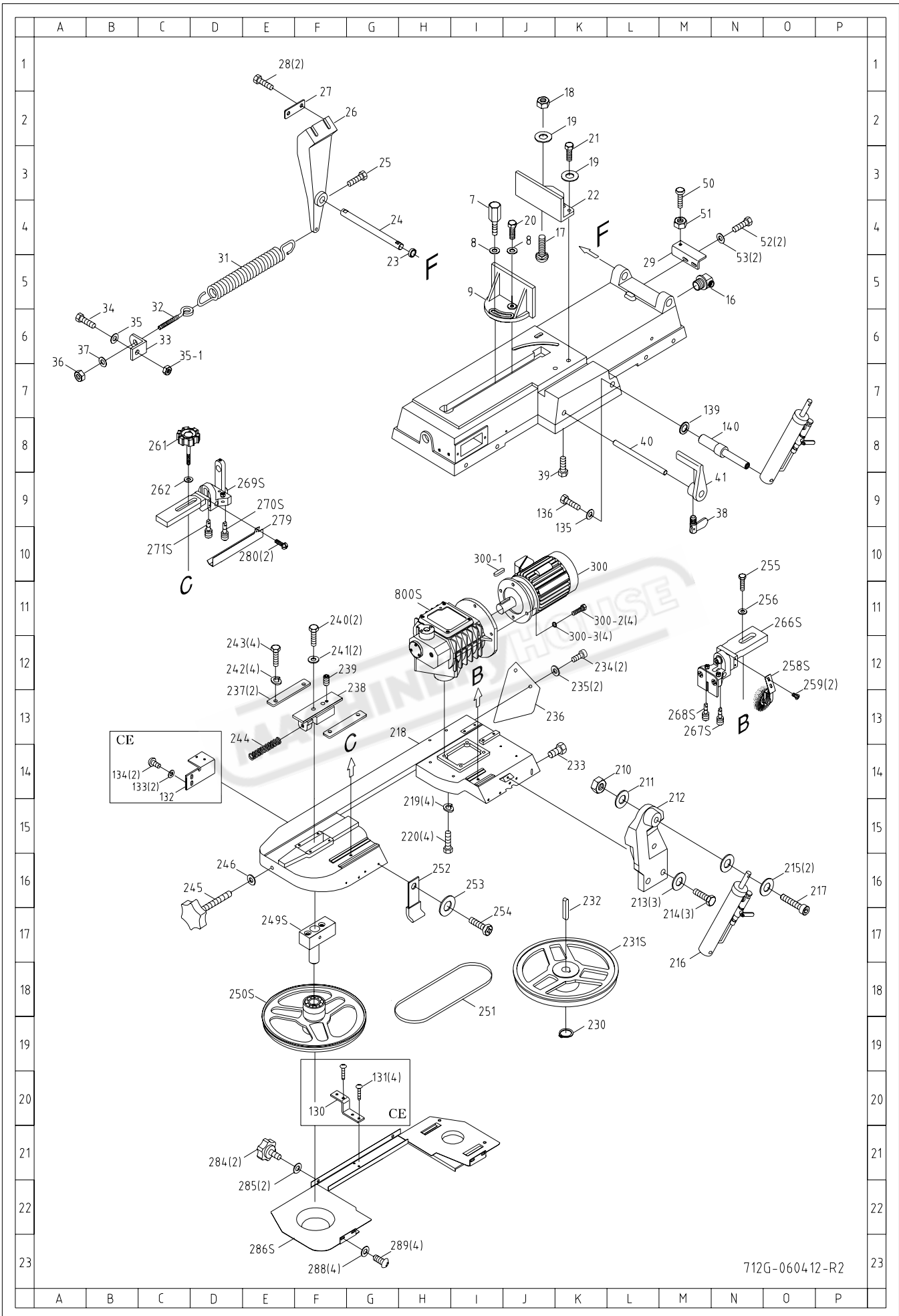
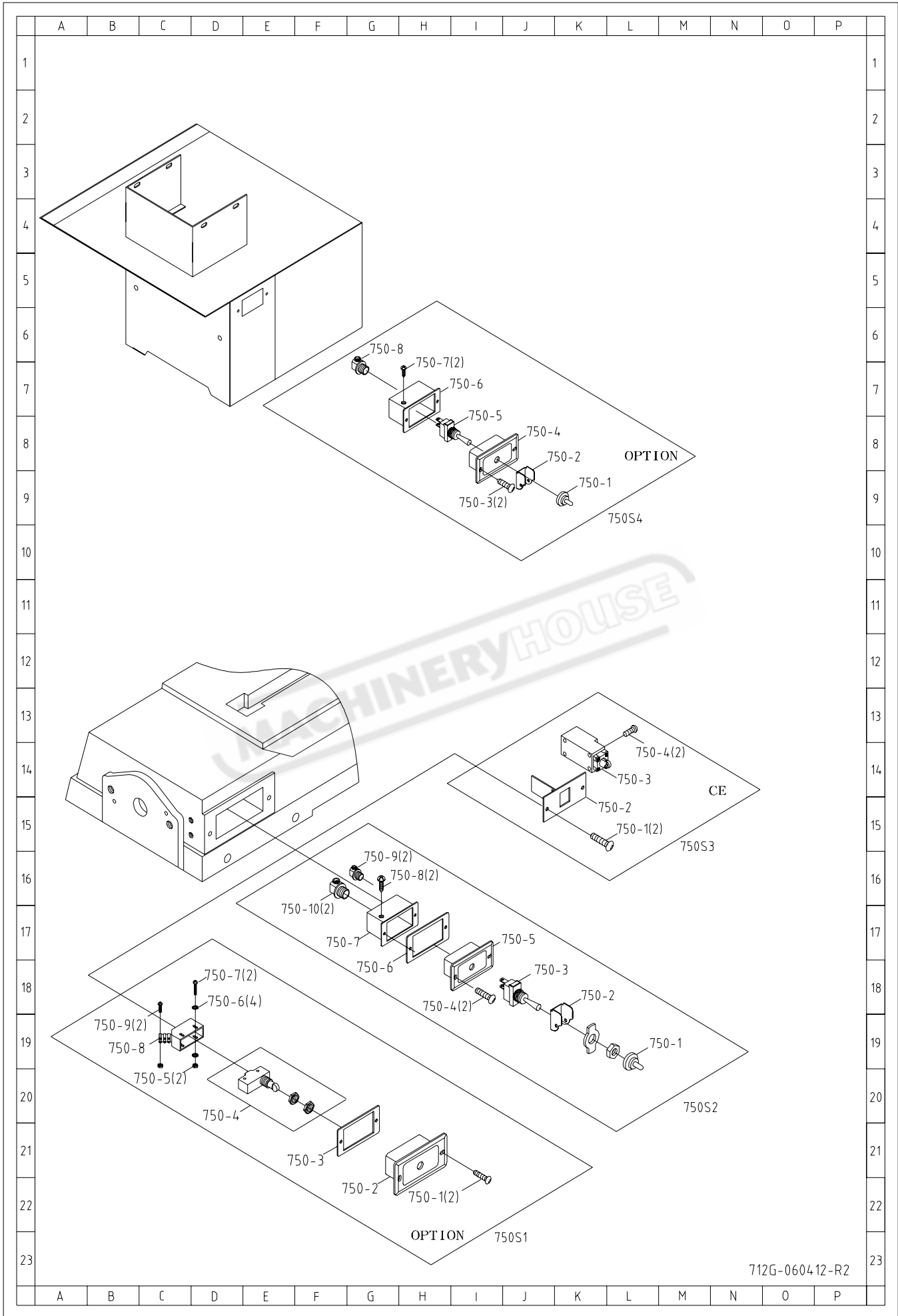


712G-060412-R2



712G-060412-R2



712G-060412-R2

## PARTS LIST

MODEL NO. 712G

CODE NO	PART NO	DESCRIPTION	SPECIFICATION	QTY	NOTE
1	181107A	Swivel Base		1	All thread
1	181107-2	Base		1	Semi thread
2	181108E	Acme Screw		1	
3	W002	Washer	1/2"x28xt2	1	
4	K003	Key	5x5x15L	1	
5S	181606S	Wheel		1	
7	181266	Fixed Bolt		1	
8	W008	Washer	3/8"x25xt2	2	
9	181114	Vise Jaw Bracket(Front)		1	
10	181610	Pin	∅ 5x35L	1	Semi thread
11	181136A	Bracket		1	Semi thread
12S	181604S	Acme Nut Assembly		1	Semi thread
13	181012	Scale		1	
14	W007	Washer	3/16"x12xt0.8	2	
15	S708	Cross Round Head Screw	3/16"x3/8"L	2	
16	ET2108	Wire Nipple	5/8"	1	
17	S501	Carriage Screw	1/2"x2"L	1	
18	N001	Hex. Nut	1/2"	1	
19	W002	Washer	1/2"x28xt2	2	
20	S012	Hex. Head Screw	3/8"x1-1/2"L	1	
21	S003	Hex. Head Screw	1/2"x2"L	1	
22	181113-4	Vise Jaw Bracket(Rear)		1	
23	181121	Bushing		1	
24	181122-1	Support Rod		1	
25	P602	Screw	5/16"x3/4"L	1	
26	181123	Pivot Bracket		1	
27	181270	Washer		1	
28	S012	Hex. Head Screw	3/8"x1-1/2"L	2	
29	181133	Support Plate		1	
30	181134	Fixed Plate		1	
31	181117-1	Spring		1	
32	181118	Spring Adjusting Rod		1	
33	181115	Spring Handle Bracket		1	
34	S022	Hex. Head Screw	5/16"x3/4"L	1	
35	W016	Washer	5/16"x23xt2	1	
35-1	N007	Hex. Nut	5/16"	1	
36	N005	Hex. Nut	3/8"	1	
37	W014	Washer	3/8"x23xt2	1	
38	181130	Thumb Screw		1	
39	S022	Hex. Head Screw	5/16"x3/4"L	1	

## PARTS LIST

## MODEL NO. 712G

CODE NO	PART NO	DESCRIPTION	SPECIFICATION	QTY	NOTE
40	3021	Stock Stop Rod		1	
41	181125	Stop Block		1	
42	S019	Hex. Head Screw	5/16"x1-1/2"L	1	
42-1	W004	Washer	1/4"x19xt1.5	1	
45	181112	Support Plate		1	Semi thread
45	181112A	Support Plate		1	All thread
46	S014	Hex. Head Screw	3/8"x1-3/4"L	1	
47	N005	Hex. Nut	3/8"	1	
48	S022	Hex. Head Screw	5/16"x3/4"L	2	
49	W017	Washer	5/16"x18xt1.5	2	
50	S014	Hex. Head Screw	3/8"x1-3/4"L	1	
51	N005	Hex. Nut	3/8"	1	
52	S022	Hex. Head Screw	5/16"x3/4"L	2	
53	W017	Washer	5/16"x18xt1.5	2	
55-1	S302	Flat Cross Head Screw	1/4"x3/8"L	1	Option
55-2	3055A	Vertical Saw Table		1	Option
55-4	N003	Hexagon nut	1/4"	1	Option
56	181900	Warning mark		1	
65	191106A	Filter		1	
66	3076	Switch Cut Off Tip		1	
68	W017	Washer	3/8"x18xt1.5	8	
69	N007	Hex. Nut	5/16"	9	
72	S017	Hex. Head Screw	5/16"x1"L	7	
73	S023	Hex. Head Screw	5/16"x1-1/4"L	1	
75	S708	Cross Round Head Screw	3/16"x3/8"L	2	
77S	18110	Stand Complete Assembly		1	
78	181854	Hose	5/8"x200mm	1	
82	181256	Coolant Tank		1	
84		Pump		1	
85	S717	Cross Round Head Screw	1/4"x5/8"L	2	
86	W004	Washer	1/4"x19xt1.5	2	
88	181852	Coupler	3/8"PTx5/16"	1	
88	181852A	Coupler	3/8"PTx5/16"	1	Option
89	181601	Hose Clip	5/8"	2	
90	181981	Hose	0D12xID8x2000	1	
91S	181980	Fitting		1	
92-1	W013	Washer	3/8"	2	
92-2	181129	Wheel		2	
92-3	HP210	Cotter Pin	§ 3x25L	2	
92-4	181128	Wheel Rod		1	

## PARTS LIST

## MODEL NO. 712G

CODE NO	PART NO	DESCRIPTION	SPECIFICATION	QTY	NOTE
93	181308	Coaster of Stand		2	
98-1	192039	Hand Rod		1	
98-2	S019	Hex. Head Screw	5/16"x1-1/2"L	4	
98-3	W017	Washer	5/16"x18xt1.5	8	
98-4	N007	Hex. Nut	5/16"	4	
130	181306	Bracket		1	For CE Only
130	181306A	Bracket		1	For CE Only (Option)
131	HS508	Cross Round Head Screw	M4x5L	4	For CE Only
132	181305	Switch Base		1	For CE Only
132	181305A	Switch base		1	For CE Only (Option)
133	HW003	Washer	M5	2	For CE Only
134	HW509	Cross Round Head Screw	M4x10L	2	For CE Only
135	W018	Washer	5/16"x23xt3	1	
136	S022	Hex. Head Screw	5/16"x3/4"L	1	
139	181608	Washer		1	
140	181301C	Cylinder Lower Support		1	
141	W016	Washer	5/16"x19xt1.5	1	
142	S018	Hex. Head Screw	5/16"x1/2"L	1	
210	N005	Hex. Nut	3/8"	1	
211	W013	Washer	3/8"x20xt2	1	
212	181302-2	Cylinder Upper Support		1	
213	W017	Washer	5/16"x18xt1.5	3	
214	S017	Hex. Head Screw	5/16"x1"L	3	
215	W014	Washer	3/8"x23xt2	2	
216	181304-2	Cylinder Complete Set	RF-712N	1	
217	S412	Hex. Socket Head Screw	3/8"x2-1/4"L	1	
218	181203-1	Body Frame		1	
219	W204	Spring Washer	3/8"	4	
220	S014	Hex. Head Screw	3/8"x1-3/4"L	4	
230	HCS13	C-Retainer Ring	S25	1	
231S	181214-2S	Drive Wheel		1	
232	HK025	Key	6x6x20L	1	
233	S022	Hex. Head Screw	5/16"x3/4"L	1	
234	S201	Cross Socker Hex. Head Scr	1/4"x5/8"L	2	
235	W005	Washer	1/4"x16xt1.5	2	
236	181232-1	Support Plate		1	
237	181210	Sliding Plate		2	
238	181211	Blade Tension Sliding Block		1	
239	S608	Hex. Socker Headless Screw	5/16"x3/4"L	1	
240	S019	Hex. Head Screw	5/16"x1-1/2"L	2	

## PARTS LIST

## MODEL NO. 712G

CODE NO	PART NO	DESCRIPTION	SPECIFICATION	QTY	NOTE
241	W015	Washer	5/16"x12xt2	2	
242	W205	Spring Washer	5/16"	4	
243	S020	Hex. Head Screw	5/16"x3/4"L	4	
244	181212	Spring		1	
245	181213A	Blade Adjustable Knob		1	
246	W008	Washer	3/8"x25xt2	1	
249S	18122	Shaft Assembly		1	
250S	18123A	Idler Wheel Assembly		1	
251	181894	Blade	0.032"x3/4"x93"x6-10T	1	
252	181240	Switch Cut Off Tip		1	
253	W005	Washer	1/4"x16xt1.5	1	
254	S201	Cross Socker Hex. Head Scr	1/4"x5/8"L	1	
255	S013	Hex. Head Screw	3/8"x1-1/4"L	1	
256	W008	Washer	3/8"x25xt2	1	
258S	181242BS	Brush Assembly		1	
259	S708	Cross Round Head Screw	3/16"x3/8"L	2	
261	3066-3	Blade Adjustable Knob		1	
262	W008	Washer	3/8"x25xt2	1	
266S	18128A	Adjustable Bracket Assembly (Rear)		1	
267S	18126	Guide Pivot Assembly		1	
268S	18127	Bearing Shaft Assembly		1	
269S	18124K	Adjustable Bracket (Front)		1	
270S	18126	Guide Pivot Assembly		1	
271S	18127	Bearing Shaft Assembly		1	
279	181231	Blade Cover(Front)		1	
280	S711	Cross Round Head Screw	5/32"x1/4"L	2	
284	195083	Plum handle		2	
285	W005	Washer	1/4"x16xt1.5	2	
286S	18137	Blade Back Cover		1	
288	W005	Washer	1/4"x16xt1.5	4	
289	S701	Cross Round Head Screw	1/4"x1/2"L	4	
300		Motor		1	
300-1	HK110	Key	5x5x30L	1	
300-2	HS059	Hex. Head Screw	M10x25L	4	
300-3	HW106	Spring Washer	M10	4	
600	3027-1	Knob		1	All thread
601	193057	Knob		1	All thread
602	S601	Hex. Socker Headless Screw	1/4"x1/2"L	1	All thread
603	193055	Pressure Lump		1	All thread
604	HW007	Washer	∅ 12xt2	1	All thread

## PARTS LIST

MODEL NO. 712G

CODE NO	PART NO	DESCRIPTION	SPECIFICATION	QTY	NOTE
605	S013	Hex. Head Screw	3/8"x1-1/4"L	2	All thread
606	W013	Washer	3/8"x20xt2	2	All thread
607	HP022	Pin	§ 5X38L	2	All thread
608	193056	Pressure Shaft		1	All thread
609	193059	Knob W/Shaft		1	All thread
610	290086	Plastic Round Knob		1	All thread
611	CA51101	Bearing		1	All thread
612	HW007	Washer	§ 12xt2	1	All thread
613	193058	Spring		1	All thread
614	181108C	Acme Screw		1	All thread
615	181138B	Acme Nut		1	All thread
616	W002	Washer	1/2"x28xt2	1	All thread
750S1	ET1615S	Limit Switch Assembly		1	Option
750-1	S708	Cross Round Head Screw	3/16"x3/8"L	2	Option
750-2	ET1931	Switch Cover		1	Option
750-3	181431	Rubber Plate		1	Option
750-4	ET1615	Limit Switch	MJ1308R	1	Option
750-5	HN002	Hex. Nut	M4	2	Option
750-6	HW305	Star Washer	M4	4	Option
750-7	HS513	Cross Round Head Screw	M4x30L	2	Option
750-8	ET2101	Limit Switch Cover	CB2	1	Option
750-9	HS511	Cross Round Head Screw	M4x20L	2	Option
750S2	ET1403S	Toggle Switch Assembly		1	
750-1	181932	Toggle Switch Cover		1	
750-2	3131B	Switch Cover		1	
750-3	ET1403	Toggle Switch Assembly	1 §	1	
750-3	181933	Toggle Switch	3 §	1	
750-4	S805	Screw	3/16"x3/8"L	2	
750-5	ET1931	Cover		1	
750-6	181431	Rubber Plate		1	
750-7	ET1930	Electrical Box		1	
750-8	S807	Screw	5/32"x1/8"L	2	
750-9	ET2108	Wire Nipple	5/8"	2	
750-10	ET2107	Wire Nipple	1/2"	2	
750S3	ET1617S	Switch		1	For CE Only
750-1	S708	Cross Round Head Screw	3/16"x3/8"L	2	For CE Only
750-2	181989-1	Switch Bracket		1	For CE Only
750-3	ET1617	Switch		1	For CE Only
750-4	S708	Cross Round Head Screw	3/16"x3/8"L	2	For CE Only
750S4	ET1401S	Toggle Switch Assembly		1	Option

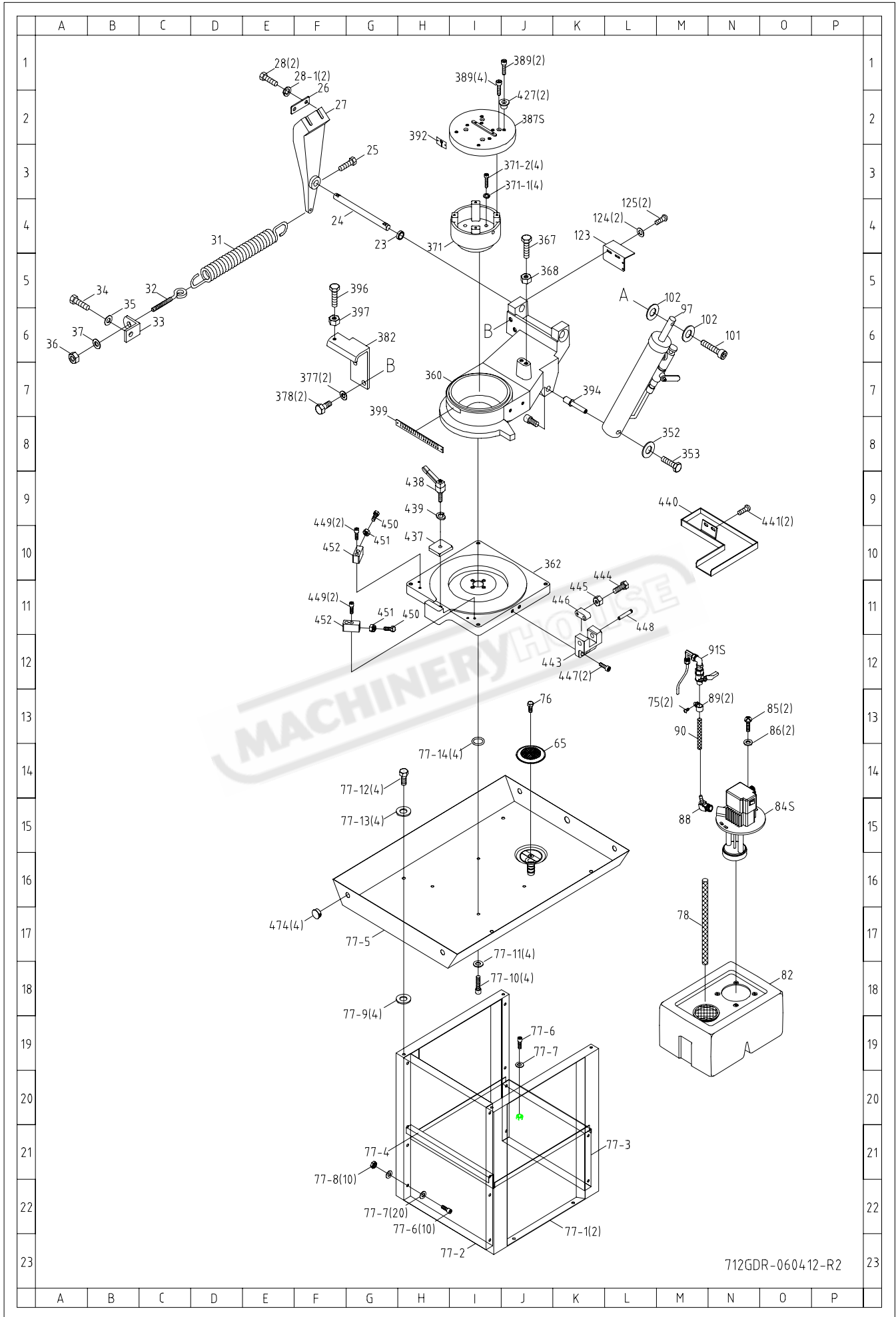


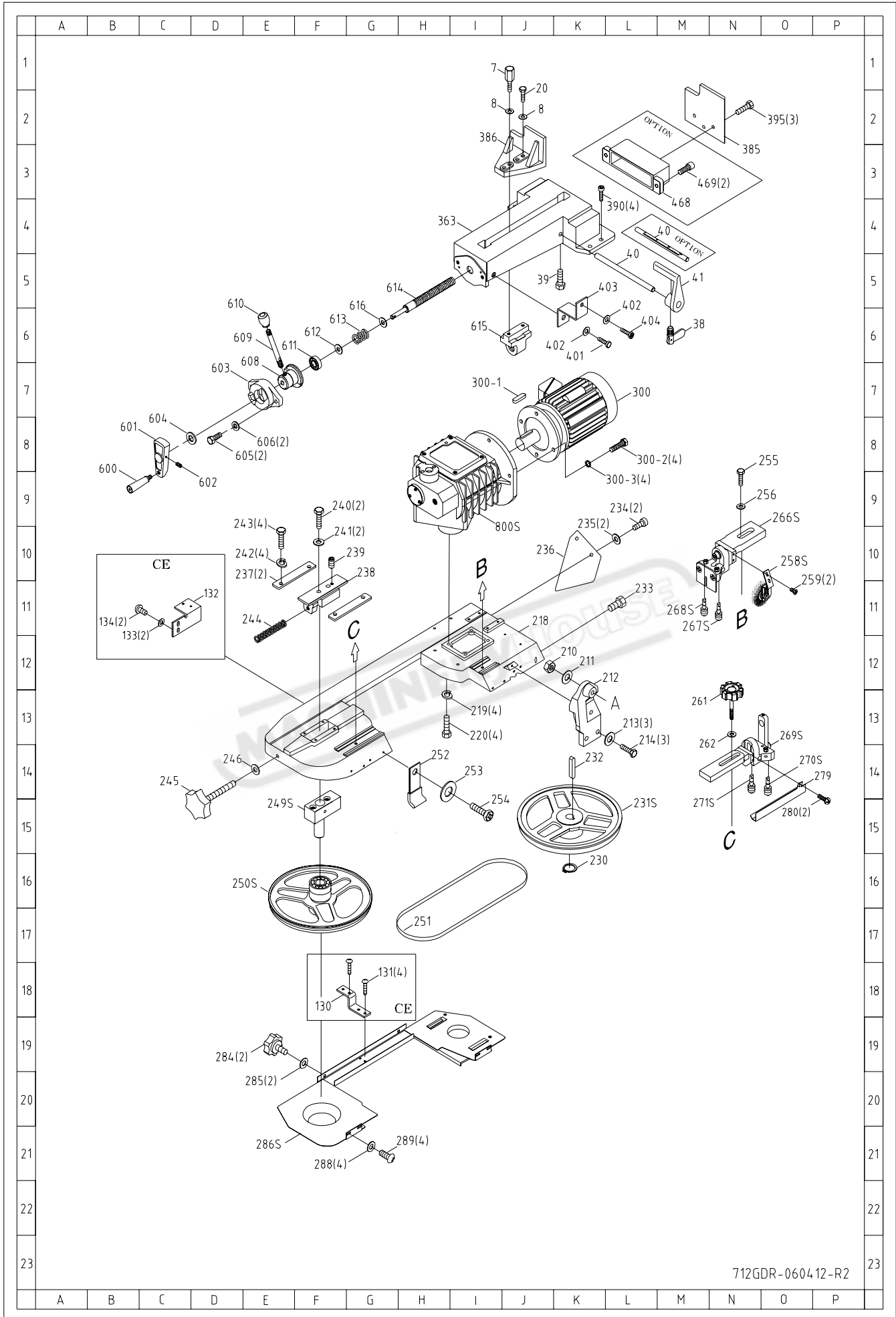
## PARTS LIST

MODEL NO. 712G

CODE NO	PART NO	DESCRIPTION	SPECIFICATION	QTY	NOTE
750-1	181932	Toggel Switch Cover		1	Option
750-2	3131B	Switch Cover		1	Option
750-3	S805	Screw	3/16"x3/8"L	2	Option
750-4	ET1931	Cover		1	Option
750-5	ET1401	Toggle Switch Assembly	1 $\phi$	1	Option
750-5	181933	Toggle Switch Assembly	3 $\phi$	1	Option
750-6	ET1930	Electrical Box		1	Option
750-7	S807	Screw	5/32"x1/8"L	2	Option
750-8	ET2107	Wire Nipple	1/2"	1	Option
800S	192321G4S	Gear Box		1	

MACHINERYHOUSE





## PARTS LIST

MODEL NO. 712GDR

CODE NO	PART NO	DESCRIPTION	SPECIFICATION	QTY	NOTE
7	181266	Fixed Bolt		1	
8	W008	Washer	3/8"x25xt2	2	
20	S012	Hex. Head Screw	3/8"x1-1/2"L	1	
23	181121	Bushing		1	
24	181122-1	Support Rod		1	
25	S063	Screw	5/16"x3/4"L	1	
26	181123	Pivot Bracket		1	
27	181270	Washer		1	
28	S012	Hex. Head Screw	3/8"x1-1/2"L	2	
31	182050	Spring		1	
32	182049	Spring Adjusting Screw		1	
33	182003	Spring Bracket		1	
34	S022	Hex. Head Screw	5/16"x3/4"L	1	
35	W016	Washer	5/16"x23xt2	1	
36	N005	Hex. Nut	3/8"	1	
37	W014	Washer	3/8"x23xt2	1	
38	181130	Thumb Screw		1	
39	S022	Hex. Head Screw	5/16"x3/4"L	1	
40	3021	Stock Stop Rod		1	
40	3021A	Stock Stop Rod		1	Option
41	181125	Stop Block		1	
65	191106	Filter		1	
75	S708	Cross Round Head Screw	3/16"x3/8"L	2	
76	S006	Hex. Head Screw	1/4"-20*1/2"L	1	
77S	182028ES	Stand Complete Assembly		1	
77-1	182028E1-1	Stand Leg(Right)(Left)		2	
77-2	182028E1-2	Stand Leg (front)		1	
77-3	182028E1-3	Stand Leg (Back)		1	
77-4	182028E1-4	Middle Plate of Stand		1	
77-5	182028E	Chip Pan		1	
77-6	HS242	Hex. Socket Head Screw	M8-1.25Px20L	11	
77-7	HW005	Washer	8.5*18-1.6t (M8)	21	
77-8	HN005	Hex. Nut	M8	10	
77-9	195058	Rubber Washer	§ 11*22-2	4	
77-10	HS242	Hex. Socket Head Screw	M8-1.25Px20L	4	
77-11	W015	Washer	M8x23xt2	4	
77-12	HS058	Hex. Head Screw	M10X20L	4	
77-13	HW006	Washer	M10X20Xt2	4	
77-14	HO028	O-Retainer Ring	§ 2x § 10	4	

## PARTS LIST

## MODEL NO. 712GDR

CODE NO	PART NO	DESCRIPTION	SPECIFICATION	QTY	NOTE
78	182076	Hose	3/4"x200mm	1	
82	181256	Coolant Tank		1	
84		Pump		1	
85	S717	Cross Round Head Screw	1/4"x5/8"L	2	
86	W004	Washer	1/4"x19xt1.5	2	
88	181852	Coupler	3/8"PTx5/16"	1	
89	181601	Hose Clip	5/8"	2	
90	181981	Hose	OD12xID8x2000	1	
91S	181980	Fitting		1	
97	182042	Cylinder Complete Set		1	
101	S412	Hex. Socket Head Screw	3/8"x2-1/4"L	1	
102	W014	Washer	3/8"x23xt2	2	
123	193046	Power Cutting Bracket		1	
124	W007	Washer	M5	2	
125	S721	Cross Round Head Screw	M5x10L	2	
130	181306	Bracket		1	For CE Only
130	181306A	Bracket		1	For CE Only (Option)
131	HS508	Cross Round Head Screw	M4x5L	4	For CE Only
132	181305	Switch Base		1	For CE Only
132	181998	Switch base		1	For CE Only (Option)
133	HW003	Washer	M5	2	For CE Only
134	HW509	Cross Round Head Screw	M4x10L	2	For CE Only
210	N005	Hex. Nut	3/8"	1	
211	W013	Washer	3/8"x20xt2	1	
212	181302-2	Cylinder Upper Support		1	
213	W017	Washer	5/16"x18xt1.5	3	
214	S017	Hex. Head Screw	5/16"x1"L	3	
218	181203-1	Body Frame		1	
219	W204	Spring Washer	3/8"	4	
220	S013	Hex. Head Screw	3/8"x1-1/4"L	4	
230	HCS13	C-Retainer Ring	S25	1	
231S	181214-2S	Drive Wheel		1	
232	HK025	Key	6x6x20L	1	
233	S022	Hex. Head Screw	5/16"x3/4"L	1	
234	S201	Cross Socker Hex. Head Screw	1/4"x5/8"L	2	
235	W005	Washer	1/4"x16xt1.5	2	
236	181232-1	Support Plate		1	
237	181210	Sliding Plate		2	
238	181211	Blade Tension Sliding Block		1	

## PARTS LIST

MODEL NO. 712GDR

CODE NO	PART NO	DESCRIPTION	SPECIFICATION	QTY	NOTE
239	S608	Hex. Socker Headless Screw	5/16"x3/4"L	1	
240	S019	Hex. Head Screw	5/16"x1-1/2"L	2	
241	W015	Washer	5/16"x12xt2	2	
242	W205	Spring Washer	5/16"	4	
243	S020	Hex. Head Screw	5/16"x3/4"L	4	
244	181212	Spring		1	
245	181213A	Blade Adjustable Knob		1	
246	W008	Washer	3/8"x25xt2	1	
249S	18122	Shaft Assembly		1	
250S	18123A	Idler Wheel Assembly		1	
251	181894-2	Blade	0.032"x3/4"x93"x6-10T	1	
252	181240	Switch Cut Off Tip		1	
253	W005	Washer	1/4"x16xt1.5	1	
254	S201	Cross Socker Hex. Head Screw	1/4"x5/8"L	1	
255	S013	Hex. Head Screw	3/8"x1-1/4"L	1	
256	W008	Washer	3/8"x25xt2	1	
258S	181242BS	Brush Assembly		1	
259	S708	Cross Round Head Screw	3/16"x3/8"L	2	
261	3066-3	Blade Adjustable Knob		1	
262	W008	Washer	3/8"x25xt2	1	
266S	18128A	Adjustable Bracket Assembly (Rear)		1	
267S	18126	Guide Pivot Assembly		1	
268S	18127	Bearing Shaft Assembly		1	
269S	18124K	Adjustable Bracket (Front)		1	
270S	18126	Guide Pivot Assembly		1	
271S	18127	Bearing Shaft Assembly		1	
279	181231	Blade Cover(Front)		1	
280	S711	Cross Round Head Screw	5/32"x1/4"L	2	
284	195083	Plum handle		2	
285	W005	Washer	1/4"x16xt1.5	2	
286S	18137	Blade Back Cover		1	
288	W005	Washer	1/4"x16xt1.5	4	
289	S701	Cross Round Head Screw	1/4"x1/2"L	4	
300		Motor		1	
300-1	HK110	Key	5x5x30L	1	
300-2	HS059	Hex. Head Screw	M10x25L	4	
300-3	HW106	Spring Washer	M10	4	
352	W016	Washer	5/16"x19xt1.5	1	
353	S018	Hex. Head Screw	5/16"x1/2"L	1	

## PARTS LIST

## MODEL NO. 712GDR

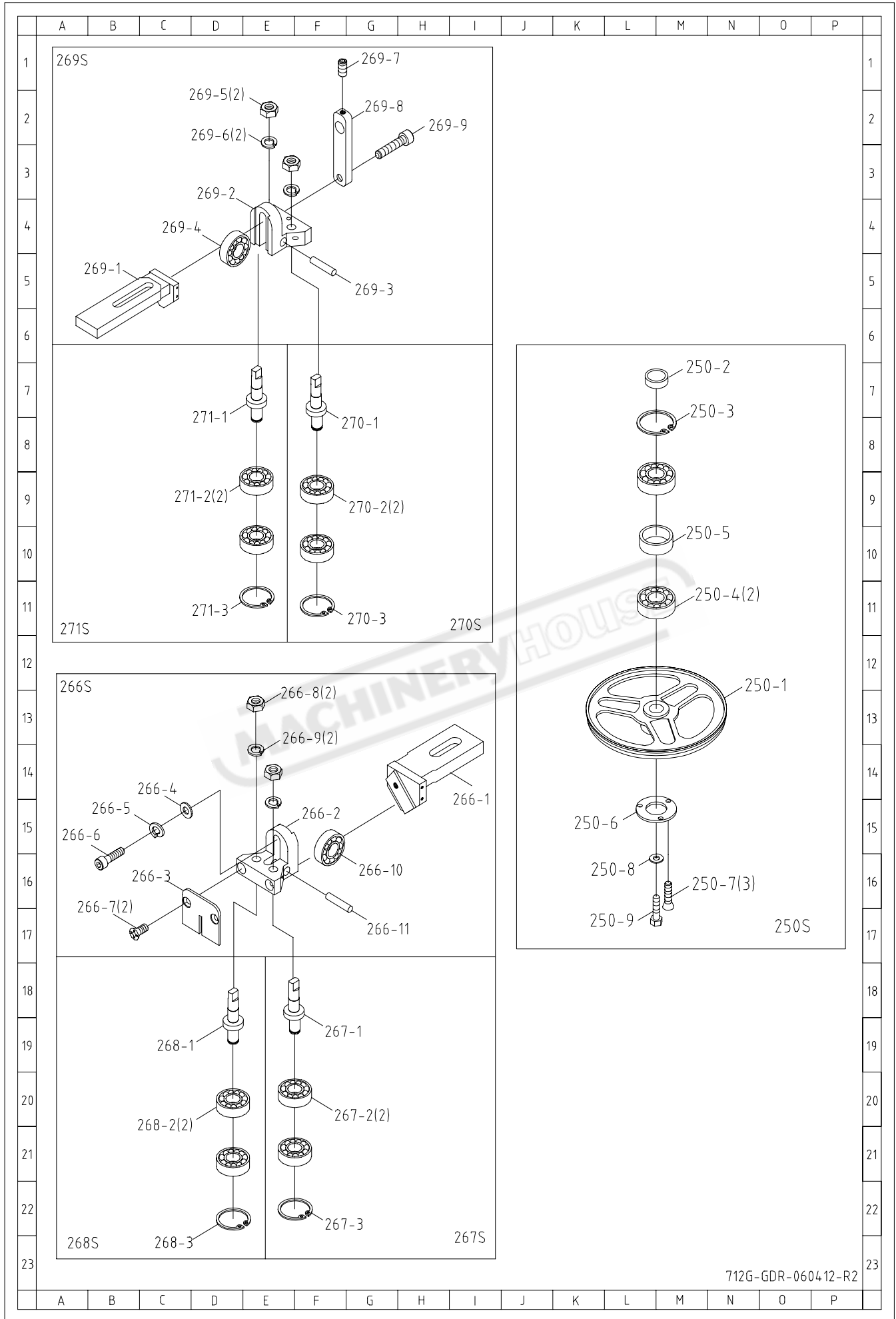
CODE NO	PART NO	DESCRIPTION	SPECIFICATION	QTY	NOTE
360	182020D	Swivel Arm		1	
362	182017B	Swivel Base		1	
363	182044A	Vise Base		1	
367	193032	Bolt	1/2"x2-1/2"L	1	
368	N001	Hex. Nut	1/2"	1	
371	193010	Fixed Shaft		1	
371-1	W204	Spring Washer	3/8"	4	
371-2	S410	Hex. Socket Head Screw	3/8"x1-1/2"L	4	
377	W017	Washer	5/16"x18xt1.5	2	
378	S022	Hex. Head Screw	5/16"x3/4"L	2	
382	182004A	Bracket		1	
385	182043	Vise Jaw Bracket(Rear)		1	
386	182016	Vise Jaw Bracket(Front)		1	
387S	182041S	Cap		1	
389	S416	Hex. Socket Head Screw	M8x25L	6	
390	S425	Hex. Socket Head Screw	M10x30L	4	
392	1976015	Meter Indicator		1	
394	182045	Cylinder Lower Support		1	
395	S023	Hex. Head Screw	5/16"x1-1/4"L	3	
396	S013	Hex. Head Screw	5/16"x1-1/4"L	1	
397	N007	Hex. Nut	5/16"	1	
399	182014A	Degree-Meter		1	
401	S063	Screw	5/16"x3/4"L	1	
402	W016	Washer	5/16"x23xt2	2	
403	182024	Fixed Plate		1	
404	S206	Hex. Head Screw	5/16"x3/4"L	1	
425	182051	Protective Plate (For Higher Stand Only)		1	
427	182047	Fix Block		2	
437	182060	Swivel Arm Briquette		1	
438	191210A	Knob		1	
439	W204	Spring Washer	3/8"	1	
440	182061A	Splash Board		1	
441	S732	Cross Round Head Screw	5/16"x1/2"L	2	
443	193029	Protractor Locating Bracket		1	
444	S015	Hexagon head screw	3/8"x2"L	1	
445	N005	Hex. Nut	3/8"	1	
446	193030	Protractor Locating Block		1	
447	S415	Hexagon screw	5/16"x1/2"L	2	
448	103026	Bearing Pin		1	

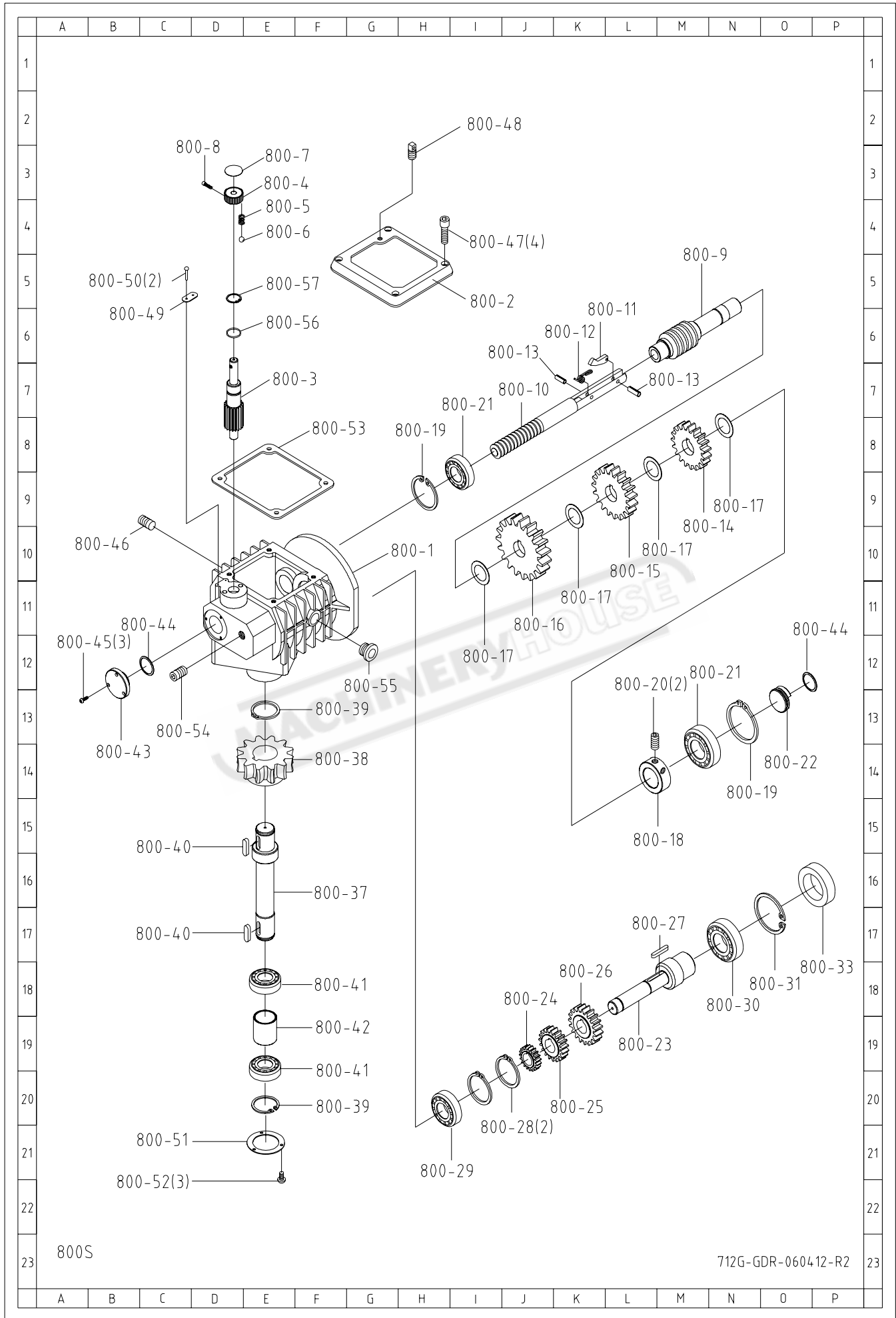
## PARTS LIST

## MODEL NO. 712GDR

CODE NO	PART NO	DESCRIPTION	SPECIFICATION	QTY	NOTE
449	S007	Hex. Socket Head Screw	1/4"x1-1/4"L	4	
450	S015	Hexagon head screw	3/8"x2"L	2	
451	N005	Hex. Nut	3/8"	2	
452	193025	Swivel Locating Block		2	
468	182065	Extension Base		1	
469	S476	Hex. Socket Head Screw	3/8"x1-1/4"	2	
474	ET2135	Snap Bushing	HP19	4	
600	3027-1	Knob		1	All thread
601	193057	Knob		1	All thread
602	S601	Hex. Socker Headless Screw	1/4"x1/2"L	1	All thread
603	193055	Pressure Lump		1	All thread
604	HW007	Washer	§ 12xt2	1	All thread
605	S013	Hex. Head Screw	3/8"x1-1/4"L	2	All thread
606	W013	Washer	3/8"x20xt2	2	All thread
608	193056	Pressure Shaft		1	All thread
609	193059	Knob W/Shaft		1	All thread
610	290086	Plastic Round Knob		1	All thread
611	CA51101	Bearing		1	All thread
612	HW007	Washer	§ 12xt2	1	All thread
613	193058	Spring		1	All thread
614	182037B	Acme Screw		1	All thread
615	181138B	Acme Nut		1	All thread
616	W002	Washer	1/2"x28xt2	1	All thread
800S	192321G4S	Gear Box		1	







## PARTS LIST

## MODEL NO. 712G / 712GDR

CODE NO	PART NO	DESCRIPTION	SPECIFICATION	QTY	NOTE
250-1	181205-2	Idler Wheel		1	
250-2	181207-1	Bushing		1	
250-3	HCR04	C-Retainer Ring	R35	1	
250-4	CA6202ZZ	Ball Bearing	6202ZZ	2	
250-5	181245	Bushing		1	
250-6	3072-2	Bearing Cover		1	
250-7	S302	Flat Cross Head Screw	3/16"x3/8"L	3	
250-8	W018	Washer	5/16"x20xt3	1	
250-9	S022	Hex. Head Screw	5/16"x3/4"L	1	
266-1	181228A	Adjustable Bracket(Rear)		1	
266-2	3064	Blade Adjustable (Rear)		1	
266-3	3069	Deflector Plate		1	
266-4	W017	Washer	5/16"x18xt1.5	1	
266-5	W205	Spring Washer	5/16"	1	
266-6	S416	Hex. Socket Head Screw	5/16"x1-1/4"L	1	
266-7	S301	Flat Cross Head Screw	1/4"x1/2"L	2	
266-8	N006	Hex. Nut	3/8"UNF	2	
266-9	W204	Spring Washer	3/8"	2	
266-10	CA6000ZZ	Bearing	6000ZZ	1	
266-11	3063	Bearing Pin		1	
267-1	181244	Guide Pivot		1	
267-2	CA6000ZZ	Bearing	6000ZZ	2	
267-3	HCS01	C-Retainer Ring	S10	1	
268-1	181243	Bearing Shaft		1	
268-2	CA6000ZZ	Bearing	6000ZZ	2	
268-3	HCS01	C-Retainer Ring	S10	1	
269-1	181230-1	Adjustable Bracket(Front)		1	
269-2	181271	Blade Adjustable (Front)		1	
269-3	3063	Bearing Pin		1	
269-4	CA6000ZZ	Bearing	6000ZZ	1	
269-5	N006	Hex. Nut	3/8"UNF	2	
269-6	W204	Spring Washer	3/8"	2	
269-7	S604	Hex. Socker Headless Screw	1/4"x3/8"L	1	
269-8	0162	Nozzle Cock Support		1	
269-9	S416	Hex. Socket Head Screw	5/16"x1-1/4"L	1	
270-1	181244	Guide Pivot (Right)		1	
270-2	CA6000ZZ	Bearing	6000ZZ	2	
270-3	HCS01	C-Retainer Ring	S10	1	

## PARTS LIST

## MODEL NO. 712G / 712GDR

CODE NO	PART NO	DESCRIPTION	SPECIFICATION	QTY	NOTE
271-1	181243	Bearing Shaft		1	
271-2	CA6000ZZ	Bearing	6000ZZ	2	
271-3	HCS01	C-Retainer Ring	S10	1	
800-1	192321G4	Gear Box		1	
800-2	192322G4	Gear Box Cover		1	
800-3	192324	Speed-Changing Gear Shaft		1	
800-4	2450079	Speed Lever		1	
800-5	192348	Spring		1	
800-6	HB001	Steel Ball	ϕ 8	1	
800-7	192327A	Speed Indicator Dial		1	
800-8	HS244	Hex. Socket Head Screw	M5x28L	1	
800-9	192325	Worm Shaft		1	
800-10	192309	Speed-Changing Rod		1	
800-11	2450083A	Speed-Changing Key		1	
800-12	2450084B	Twisted Spring		1	
800-13	HP006	Pin	ϕ 3x10L	2	
800-14	192329	Gear		1	
800-15	192330	Gear		1	
800-16	192331	Gear		1	
800-17	2450074A	Washer		4	
800-18	2450089A	Bushing Bracket		1	
800-19	HCR04	C-Retainer Ring	R35	2	
800-20	HS421	Hex. Socket Headless Screw	M6x6L	2	
800-21	CA6003LLB	Bearing	6003LLB	2	
800-22	192328	Cover		1	
800-23	192332	Gear Shaft		1	
800-24	192333	Gear		1	
800-25	192334	Gear		1	
800-26	192335	Gear		1	
800-27	HK095	Key	5x5x32L	1	
800-28	HCS06	C-Retainer Ring	S17	2	
800-29	CA6003LLB	Bearing	6003LLB	1	
800-30	CA6007LLB	Bearing	6007LLB	1	
800-31	HCR08	C-Retainer Ring	R62	1	
800-33	HG004	Oil Seal	ϕ 62x ϕ 35x8	1	

## PARTS LIST

## MODEL NO. 712G / 712GDR

CODE NO	PART NO	DESCRIPTION	SPECIFICATION	QTY	NOTE
800-37	192336	Drive Gear Shaft		1	
800-38	192337	Worm Gear		1	
800-39	HCS13	C-Retainer Ring	S25	2	
800-40	HK025	Key	6x6x20L	2	
800-41	CA6205LLB	Bearing	60205LLB	2	
800-42	192340	Bearing Spacer		1	
800-43	192339	Cover		1	
800-44	HO041	O-Retainer Ring	φ 35X φ 29x3	2	
800-45	HT017	Cross Round Head Screw	M5x13L	3	
800-46	HD106	Plug	M5X12L	1	
800-47	HS230	Hex. Socket Head Screw	M6x20L	4	
800-48	3149	Vent Plug		1	
800-49		Scale		1	
800-50	HH001	Rivet	φ 2X4	2	
800-51	181246	Bearing Cover		1	
800-52	HS519	Cross Round Head Screw	M5x10L	3	
800-53	192338B	Gear Box Gasket		1	
800-54	HD103	Plug	PT1/4"	1	
800-55	HB203	Oil level gage	φ 19	1	
800-56	HO045	O-Retainer Ring	φ 15.8x2.4b	1	
800-57	HCR24	C-Retainer Ring	R20	1	